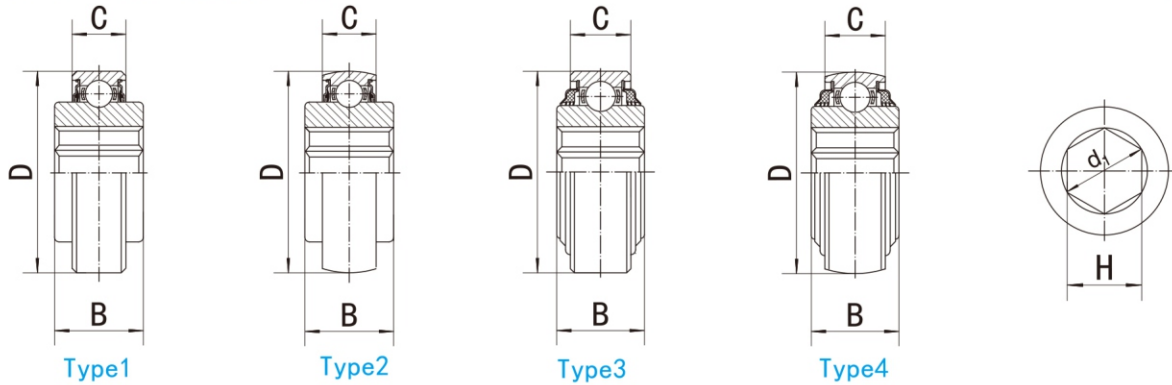


Non Relubricatable Series



Bearing NO.	Type	Dimensions (in. / mm)					Dynamic load ratings (N)	Static load ratings (N)	Weight (kg)
		d ₁	H	D	C	B			
204KPP2	3	0.7970 20.24	0.6950 17.65	1.8504 47	0.5510 14	0.8250 20.96	12800	6650	0.34
204KRR2	1	0.7970 20.24	0.6950 17.65	1.8504 47	0.5510 14	0.8250 20.96	12800	6650	0.32
204KRRB2	2	0.7970 20.24	0.6950 17.65	1.8504 47	0.5510 14	0.8250 20.96	12800	6650	0.32
204KPPB2	4	0.7970 20.24	0.6950 17.65	1.8504 47	0.5510 14	0.8250 20.96	12800	6650	0.32
205KPP2	3	1.0120 25.70	0.8760 22.25	2.0470 52	0.5910 15	1.0000 25.40	14000	7850	0.47
205KRR2	1	1.0120 25.70	0.8760 22.25	2.0470 52	0.5910 15	1.0000 25.40	14000	7850	0.44
205KPPB2	4	1.0120 25.70	0.8760 22.25	2.0470 52	0.5910 15	1.0000 25.40	14000	7850	0.47
205KRRB2	2	1.0120 25.70	0.8760 22.25	2.0470 52	0.5910 15	1.0000 25.40	14000	7850	0.44
206KRR6	1	1.1520 29.26	1.0010 25.43	2.4409 62	0.6300 16	0.9450 24.00	19450	11250	0.75
206KRRB6	2	1.1520 29.26	1.0010 25.43	2.4409 62	0.6300 16	0.9450 24.00	19450	11250	0.75
G207KPPB2	4	1.2980 32.97	1.2600 28.60	2.8346 72	0.7480 19	1.4840 37.70	25700	15200	1.10
207KRRB9	2	1.2980 32.97	1.2600 28.60	2.8346 72	0.6690 17	1.4840 37.70	25700	15200	1.00
207KRRB12	2	1.2980 32.97	1.2600 28.60	2.8346 72	0.6690 17	0.9840 25.00	25700	15200	0.87
207KPPB3	4	1.4429 36.65	1.2512 31.78	2.8346 72	0.6690 17	1.4840 37.70	25700	15200	0.87
207KPP3	3	1.4429 36.65	1.2512 31.78	2.8346 72	0.6690 17	0.9840 25.00	25700	15200	0.87
GW208PPB22	4	1.4500 36.83	1.2550 31.88	3.1496 80	0.8270 21	1.4370 36.50	29500	18100	1.50
W208KRRB6	2	1.5870 40.30	1.3760 34.95	3.1496 80	0.8270 21	1.4370 36.50	29500	18100	1.31
W208PPB16	4	1.4429 36.65	1.2512 31.78	3.1496 80	0.7090 18	1.4370 36.50	29500	18100	1.45
W208PP21	3	1.4429 36.65	1.2512 31.78	3.1496 80	0.7090 18	1.4370 36.50	29500	18100	1.45
G209KPPB2	4	1.7300 43.94	1.5010 38.13	3.3465 85	0.7490 19	1.1810 30.00	32700	20900	1.26
209KRRB2	2	1.7300 43.94	1.5010 38.13	3.3465 85	0.7490 19	1.1810 30.00	32700	20900	1.27
210PPB20	4	1.4500 36.83	1.2550 31.88	3.5433 90	0.8661 22	1.4370 36.50	35000	23200	2.00
210PP20	3	1.4500 36.83	1.2550 31.88	3.5433 90	0.8661 22	1.4370 36.50	35000	23200	2.05
G210KPPB2	4	1.7300 43.94	1.5010 38.13	3.5433 90	0.8611 22	1.1811 30.00	35000	23200	1.89
GC211-32-NLC	3	2.0200 51.31	1.7510 44.48	3.9370 100	0.9840 25	2.2500 57.15	43300	29200	3.35