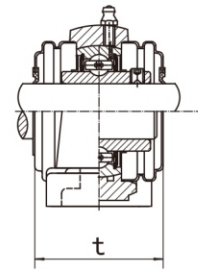
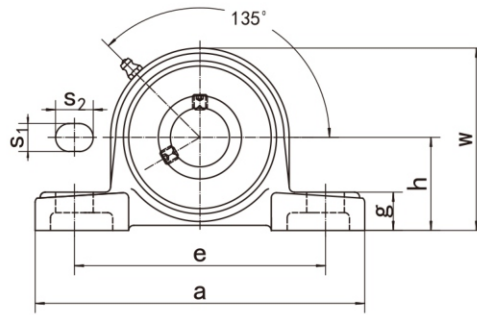
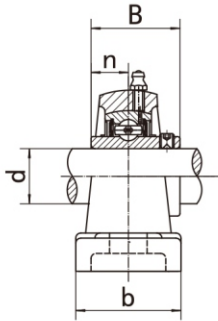


Pillow Blocks

UCP2 (Normal-duty)



UCP-C₁(D₁)

Unit NO.	Dimensions (mm / in.)												Bolt Size mm/in.	Bearing No.	Housing No.	Weight (kg)
	d	h	a	e	b	s ₁	s ₂	g	w	t	B	n				
UCP201	12	30.2	127	95	38	13	19	14	62	44.5	31	12.7	M10	UC201	P201	0.65
201-8	1/2	1-3/16	5	3-3/4	1-1/2	1/2	3/4	9/16	2-7/16	1-3/4	1.2205	0.500	3/8	UC201-8		0.64
UCP202	15	30.2	127	95	38	13	19	14	62	44.5	31	12.7	M10	UC202	P202	0.64
202-9	9/16	1-3/16	5	3-3/4	1-1/2	1/2	3/4	9/16	2-7/16	1-3/4	1.2205	0.500	3/8	UC202-9		0.64
202-10	5/8													UC202-10		0.64
UCP203	17	30.2	127	95	38	13	19	14	62	44.5	31	12.7	M10	UC203	P203	0.63
203-11	11/16	1-3/16	5	3-3/4	1-1/2	1/2	3/4	9/16	2-7/16	1-3/4	1.2205	0.500	3/8	UC203-11		0.62
UCP204	20	33.3	127	95	38	13	19	14	65	44.5	31.0	12.7	M10	UC204	P204	0.64
204-12	3/4	1-5/16	5	3-3/4	1-1/2	1/2	3/4	9/16	2-9/16	1-3/4	1.2205	0.500	3/8	UC204-12		0.64
UCP205	25	36.5	140	105	38	13	19	15	71	48	34.1	14.3	M10	UC205	P205	0.76
205-13	13/16													UC205-13		0.80
205-14	7/8	1-7/16	5-1/2	4-1/8	1-1/2	1/2	3/4	19/32	2-25/32	1-57/64	1.3425	0.563	3/8	UC205-14		0.79
205-15	15/16													UC205-15		0.77
205-16	1													UC205-16		0.76
UCP206	30	42.9	160	121	44	17	20	17	84	53	38.1	15.9	M14	UC206	P206	1.20
206-17	1-1/16													UC206-17		1.21
206-18	1-1/8	1-11/16	6-19/64	4-3/4	1-47/64	43/64	25/32	21/32	3-5/16	2-5/64	1.5000	0.626	1/2	UC206-18		1.22
206-19	1-3/16													UC206-19		1.20
206-20	1-1/4													UC206-20		1.19
UCP207	35	47.6	167	127	48	17	20	18	93	59.5	42.9	17.5	M14	UC207	P207	1.46
207-20	1-1/4													UC207-20		1.53
207-21	1-5/16	1-7/8	6-9/16	5	1-7/8	43/64	25/32	45/64	3-21/32	2-11/32	1.6890	0.689	1/2	UC207-21		1.50
207-22	1-3/8													UC207-22		1.47
207-23	1-7/16													UC207-23		1.44
UCP208	40	49.2	184	137	54	17	20	18	100	69	49.2	19	M14	UC208	P208	1.86
208-24	1-1/2	1-15/16	7-1/4	5-13/32	2-1/8	43/64	25/32	45/64	3-15/16	2-23/32	1.9370	0.748	1/2	UC208-24		1.90
208-25	1-9/16													UC208-25		1.87
UCP209	45	54.0	190	146	54	17	20	20	106	69	49.2	19	M14	UC209	P209	2.06
209-26	1-5/8													UC209-26		2.16
209-27	1-11/16	2-1/8	7-15/32	5-3/4	2-1/8	43/64	25/32	25/32	4-11/64	2-23/32	1.9370	0.748	1/2	UC209-27		2.12
209-28	1-3/4													UC209-28		2.08
UCP210	50	57.2	206	159	60	20	23	21	113	74.5	51.6	19.0	M16	UC210	P210	2.61
210-29	1-13/16													UC210-29		2.73
210-30	1-7/8	2-1/4	8-1/8	6-1/4	2-3/8	25/32	29/32	53/64	4-29/64	2-15/16	2.0315	0.748	5/8	UC210-30		2.68
210-31	1-15/16													UC210-31		2.63
210-32	2													UC210-32		2.59
UCP211	55	63.5	219	171	60	20	23	23	125	76	55.6	22.2	M16	UC211	P211	3.23
211-32	2													UC211-32		3.38
211-33	2-1/16	2-1/2	8-5/8	6-47/64	2-3/8	25/32	29/32	29/32	4-59/64	3	2.1890	0.874	5/8	UC211-33		3.32
211-34	2-1/8													UC211-34		3.28
211-35	2-3/16													UC211-35		3.21
UCP212	60	69.8	241	184	70	20	23	25	138	89	65.1	25.4	M16	UC212	P212	4.40
212-36	2-1/4													UC212-36		4.57
212-37	2-5/16	2-3/4	9-1/2	7-1/4	2-3/4	25/32	29/32	63/64	5-7/16	3-1/2	2.5630	1.000	5/8	UC212-37		4.49
212-38	2-3/8													UC212-38		4.42
212-39	2-7/16													UC212-39		4.35
UCP213	65	76.2	265	203	70	25	28	27	150	89	65.1	25.4	M20	UC213	P213	5.35
213-40	2-1/2	3	10-7/16	8	2-3/4	63/64	1-3/32	1-1/16	5-29/32	3-1/2	2.5630	1.000	3/4	UC213-40		5.44
213-41	2-9/16													UC213-41		5.35
UCP214	70	79.4	266	210	72	25	28	27	156	98	74.6	30.2	M20	UC214	P214	5.86
214-42	2-5/8	3-1/8	10-15/32	8-17/64	2-27/32	63/64	1-3/32	1-1/16	6-9/64	3-55/64	2.9370	1.189	3/4	UC214-42		6.07
214-43	2-11/16													UC214-43		5.97
214-44	2-3/4													UC214-44		5.87
UCP215	75	82.6	275	217	74	25	28	28	162	99	77.8	33.3	M20	UC215	P215	6.45
215-45	2-13/16													UC215-45		6.45
215-46	2-7/8	3-1/4	10-53/64	8-35/64	2-29/32	63/64	1-3/32	1-3/32	6-3/8	3-57/64	3.0630	1.311	3/4	UC215-46		6.70
215-47	2-15/16													UC215-47		6.59
215-48	3													UC215-48		6.39
UCP216	80	88.9	292	232	78	25	28	30	174	109	82.6	33.3	M20	UC216	P216	7.86
216-49	3-1/16	3-1/2	11-1/2	9-1/8	3-1/16	63/64	1-3/32	1-3/16	6-27/32	4-19/64	3.2520	1.311	3/4	UC216-49		8.04
216-50	3-1/8													UC216-50		7.91
216-51	3-3/16													UC216-51		7.78
UCP217	85	95.2	310	247	83	25	28	32	185	113.2	85.7	34.1	M20	UC217	P217	9.56
217-52	3-1/4	3-3/4	12-13/64	9-23/32	3-17/64	63/64	1-3/32	1-1/4	7-9/32	4-29/64	3.3740	1.343	3/4	UC217-52		9.68
217-53	3-5/16													UC217-53		9.64
217-55	3-7/16													UC217-55		9.35
UCP218	90	101.6	327	262	88	27	30	33	198	123	96.0	39.7	M22	UC218	P218	11.59
218-56	3-1/2	4	12-7/8	10-5/16	3-15/32	1-1/16	1-3/16	1-19/64	7-51/64	4-27/32	3.7795	1.5630	7/8	UC218-56		11.70
UCP220	100	115.0	380	308	95	30	36	40	225	108.0	42.0	M24	UC220	P220	16.00	
220-64	4	4-17/32	14-61/64	12-1/8	3-47/64	1-3/16	1-27/64	1-37/64	8-55/64		4.2520	1.6535	15/16	UC220-64		