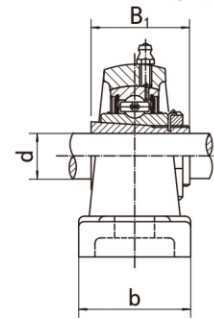
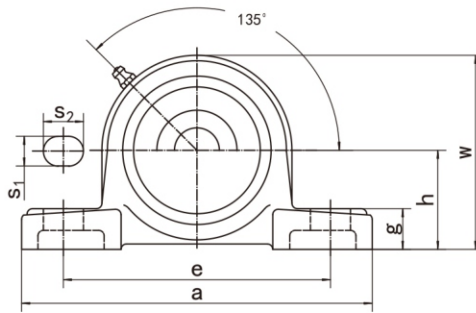


UKP3 (Heavy-duty)

Pillow Blocks
(with adapter mounted)



Unit NO.	Dimensions (mm / in.)										Bolt Size mm/in.	Bearing No.	Housing No.	Weight (kg)
	d	h	a	e	b	s ₁	s ₂	g	w	B ₁				
UKP305;H2305 305;HE2305	20 3/4	45 1-49/64	175 6-7/8	132 5-3/16	45 1-3/4	17 43/64	20 25/32	15 19/32	85 3-11/32	35 1.378	M14 1/2	UK305;H2305 UK305;HE2305	P305	1.30
UKP306;H2306 306;HS2306 306;HE2306	25 7/8 1	50 1-31/32	180 7-3/32	140 5-1/2	50 1-31/32	17 43/64	20 25/32	18 23/32	95 3-3/4	38 1.496	M14 1/2	UK306;H2306 UK306;HS2306 UK306;HE2306	P306	1.80
UKP307;H2307 307;HS2307	30 1-1/8	56 2-13/64	210 8-9/32	160 6-5/16	56 2-7/32	17 43/64	25 63/64	20 25/32	106 4-3/16	43 1.693	M14 1/2	UK307;H2307 UK307;HS2307	P307	2.40
UKP308;H2308 308;HE2308 308;HS2308	35 1-1/4 1-3/8	60 2-23/64	220 8-21/32	170 6-11/16	60 2-3/8	17 43/64	27 1-1/16	22 7/8	116 4-9/16	46 1.811	M16 5/8	UK308;H2308 UK308;HE2308 UK308;HS2308	P308	3.10
UKP309;H2309 309;HA2309 309;HE2309 309;HS2309	40 1-7/16 1-1/2 1-5/8	67 2-41/64	245 9-21/32	190 7-15/32	67 2-5/8	20 25/32	30 1-3/16	24 15/16	129 5-3/32	50 1.969	M16 5/8	UK309;H2309 UK309;HA2309 UK309;HE2309 UK309;HS2309	P309	4.20
UKP310;H2310 310;HS2310 310;HA2310 310;HE2310	45 1-5/8 1-11/16 1-3/4	75 2-61/64	275 10-13/16	212 8-11/32	75 2-15/16	20 25/32	35 1-3/8	27 1-1/16	143 5-5/8	55 2.165	M16 5/8	UK310;H2310 UK310;HS2310 UK310;HA2310 UK310;HE2310	P310	5.80
UKP311;H2311 311;HS2311 311;HA2311 311;HE2311	50 1-7/8 1-15/16 2	80 3-5/32	310 12-7/32	236 9-9/32	80 3-5/32	20 25/32	38 1-1/2	30 1-3/16	154 6-1/16	59 2.323	M16 5/8	UK311;H2311 UK311;HS2311 UK311;HA2311 UK311;HE2311	P311	7.30
UKP312;H2312 212;HS2312	55 2-1/8	85 3-11/32	330 13	250 9-27/32	85 3-11/32	25 63/64	38 1-1/2	32 1-1/4	165 6-1/2	62 2.441	M20 3/4	UK312;H2312 UK312;HS2312	P312	9.20
UKP313;H2313 313;HA2313 313;HE2313 313;HS2313	60 2-3/16 2-1/4 2-3/8	90 3-35/64	340 13-3/8	260 10-1/4	90 3-17/32	25 63/64	38 1-1/2	33 1-5/16	176 6-15/16	65 2.559	M20 3/4	UK313;H2313 UK313;HA2313 UK313;HE2313 UK313;HS2313	P313	10.40
UKP315;H2315 315;HA2315 315;HE2315	65 2-7/16 2-1/2	100 3-15/16	380 14-31/32	290 11-13/32	100 3-15/16	27 1-1/16	40 1-9/16	35 1-3/8	198 7-25/32	73 2.874	M22 7/8	UK315;H2315 UK315;HA2315 UK315;HE2315	P315	14.70
UKP316;H2316 316;HA2316 316;HE2316	70 2-11/16 2-3/4	106 4-11/64	400 15-3/4	300 11-13/16	110 4-11/32	27 1-1/16	40 1-9/16	40 1-9/16	210 8-9/32	78 3.071	M22 7/8	UK316;H2316 UK316;HA2316 UK316;HE2316	P316	17.80
UKP317;H2317 317;HA2317 317;HS2317	75 2-15/16 3	112 4-11/64	420 16-17/32	320 12-19/32	110 4-11/32	33 1-5/16	45 1-25/32	40 1-9/16	220 8-21/32	82 3.228	M27 1	UK317;H2317 UK317;HA2317 UK317;HS2317	P317	19.60
UKP318;H2318 318;HA2318	80 3-3/16	118 4-41/64	430 16-15/16	330 13	110 4-11/32	33 1-5/16	45 1-25/32	45 1-25/32	235 9-1/4	86 3.386	M27 1	UK318;H2318 UK318;HA2318	P318	22.80
UKP319;H2319 319;HA2319	85 3-5/16	125 4-59/64	470 18-1/2	360 14-3/16	120 4-23/32	36 1-13/32	50 1-31/32	45 1-25/32	250 9-27/32	90 3.543	M30 1-1/8	UK319;H2319 UK319;HA2319	P319	28.30
UKP320;H2320 320;HA2320	90 3-7/16	140 5-33/64	490 19-9/32	380 14-31/32	120 4-23/32	36 1-13/32	50 1-31/32	50 1-31/32	275 10-53/64	97 3.814	M30 1-1/8	UK320;H2320 UK320;HA2320	P320	33.90
UKP322;H2322 322;HA2322	100 3-15/16	150 5-29/32	520 20-15/32	400 15-3/4	140 5-1/2	40 1-9/16	55 2-5/32	55 2-5/32	300 11-13/16	105 4.134	M33 1-1/4	UK322;H2322 UK322;HA2322	P322	45.60
UKP324;H2324 324;HA2324	110 4-3/16	160 6-19/64	570 22-7/16	450 17-23/32	140 5-1/2	40 1-9/16	55 2-5/32	65 1-21/32	320 12-19/32	112 4.410	M33 1-1/4	UK324;H2324 UK324;HA2324	P324	55.80
UKP326;H2326 326;HA2326	115 4-7/16	180 7-3/32	600 23-5/8	480 18-29/32	140 5-1/2	40 1-9/16	55 2-5/32	75 2-61/64	355 13-31/32	121 4.764	M33 1-1/4	UK326;H2326 UK326;HA2326	P326	71.80
UKP328;H2328 328;HA2328	125 4-15/16	200 7-7/8	620 24-13/32	500 19-11/16	140 5-1/2	40 1-9/16	55 2-5/32	75 2-61/64	390 15-32/64	131 5.158	M33 1-1/4	UK328;H2328 UK328;HA2328	P328	89.00