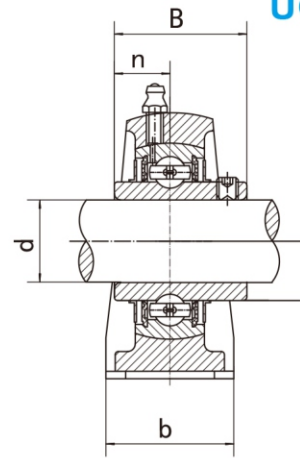
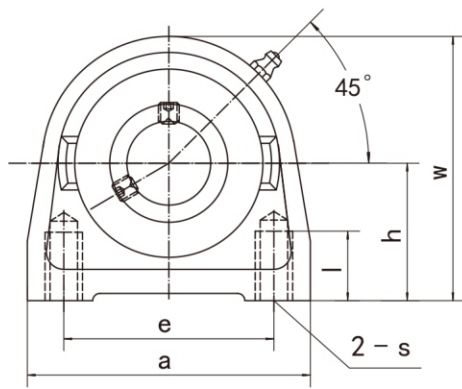


Pillow Blocks

UCSHE2 (Normal-duty)



Unit NO.	Dimensions (mm / in.)										Bolt Size mm/in.	Bearing No.	Housing No.	Weight (kg)
	d	h	a	e	b	s	l	w	B	n				
UCSSHE201	12	30.2	63	47.0	30	M8	10.0	57	27.4	11.5	M8	UCS201RG	SHE201	0.33
UCSSHE202	15	1-3/16	2-31/64	1-27/32	1-3/16		25/64	2-1/4	1.0787	0.4527		UCS202RG	SHE202	0.32
UCSSHE203	17						31/64	2-3/4	1.5000	0.626		UCS203RG	SHE203	0.31
UCSHE204	20	33.3	65	50.8	32	M8	10.0	64	31.0	12.7	M8	UC204RG	SHE204	0.35
		1-5/16	2-9/16	2	1-17/64		25/64	2-33/64	1.2205	0.500				
UCSHE205	25	36.5	70	50.8	36	M10	12.5	70	34.1	14.3	M10	UC205RG	SHE205	0.41
		1-7/16	2-3/4	2	1-27/64		31/64	2-3/4	1.3425	0.563				
UCSHE206	30	42.9	98	76.2	40	M10	12.5	82	38.1	15.9	M10	UC206RG	SHE206	0.74
		1-11/16	3-55/64	3	1-37/64		31/64	3-15/64	1.5000	0.626				
UCSHE207	35	47.6	103	82.6	45	M10	12.5	93	42.9	17.5	M10	UC207RG	SHE207	0.96
		1-7/8	4-1/16	3-1/4	1-49/64		31/64	3-21/32	1.689	0.689				
UCSHE208	40	49.2	116	88.9	48	M12	15.0	99	49.2	19.0	M12	UC208RG	SHE208	1.22
		1-15/16	4-9/16	3-1/2	1-57/64		19/32	3-57/64	1.9370	0.748				
UCSHE209	45	54	120	95.3	48	M12	15.0	107	49.2	19.0	M12	UC209RG	SHE209	1.45
		2-1/8	4-47/64	3-3/4	1-57/64		19/32	4-7/32	1.9370	0.748				
UCSHE210	50	57.2	135	101.6	54	M16	20.0	115	51.6	19.0	M16	UC210RG	SHE210	2.02
		2-1/4	5-5/16	4	2-1/8		25/32	4-17/32	2.0315	0.748				
UCSHE211	55	64	150	118.0	60	M16	20.0	125	55.6	22.2	M16	UC211RG	SHE211	2.10
		2-33/64	5-29/32	4-41/64	2-23/64		25/32	4-59/64	2.1890	0.874				
UCSHE212	60	69.9	150	118.0	60	M16	20.0	140	65.1	25.4	M16	UC212RG	SHE212	2.70
		2-3/4	5-29/32	4-41/64	2-23/64		25/32	5-33/64	2.5630	1.000				